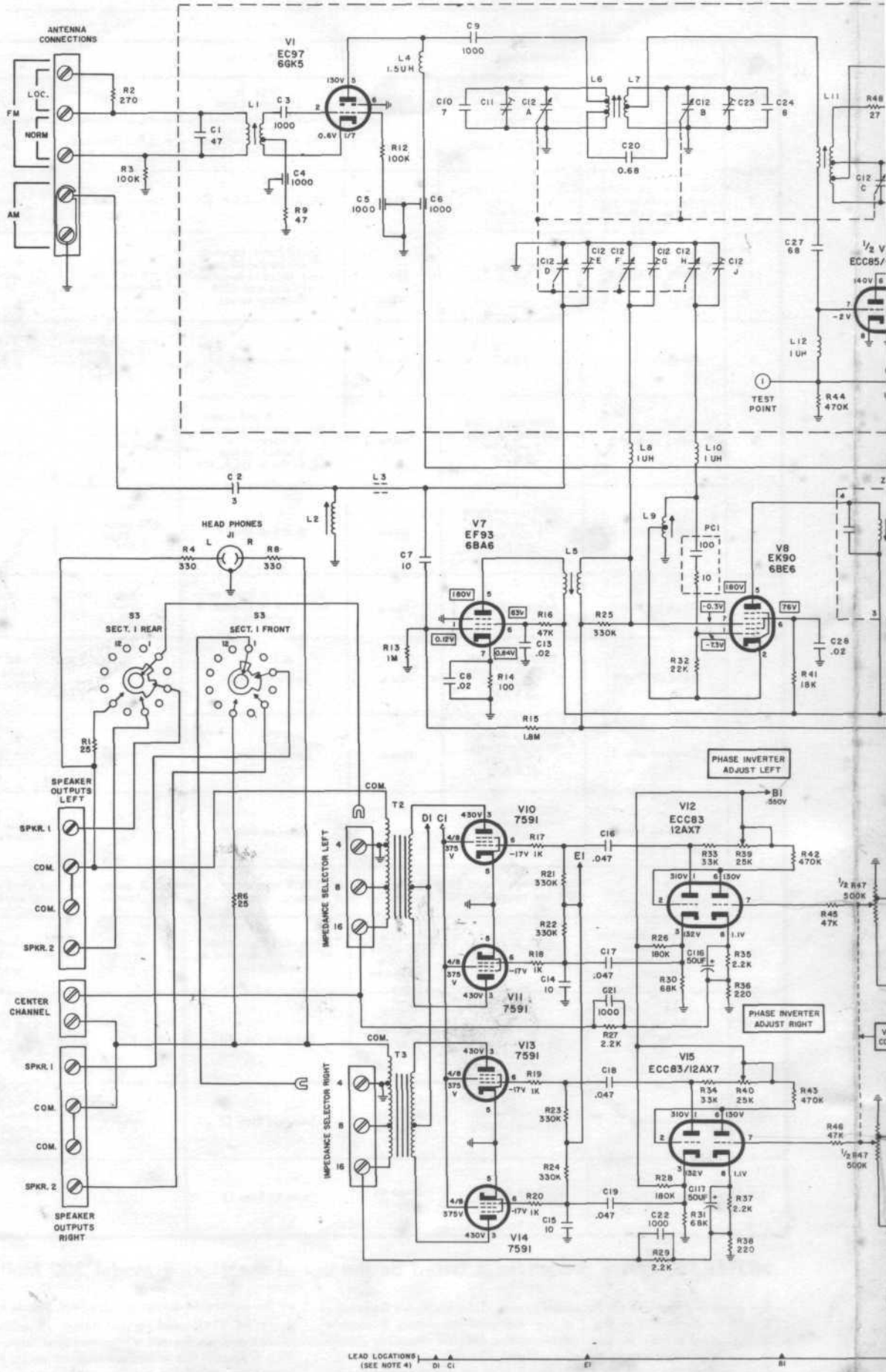
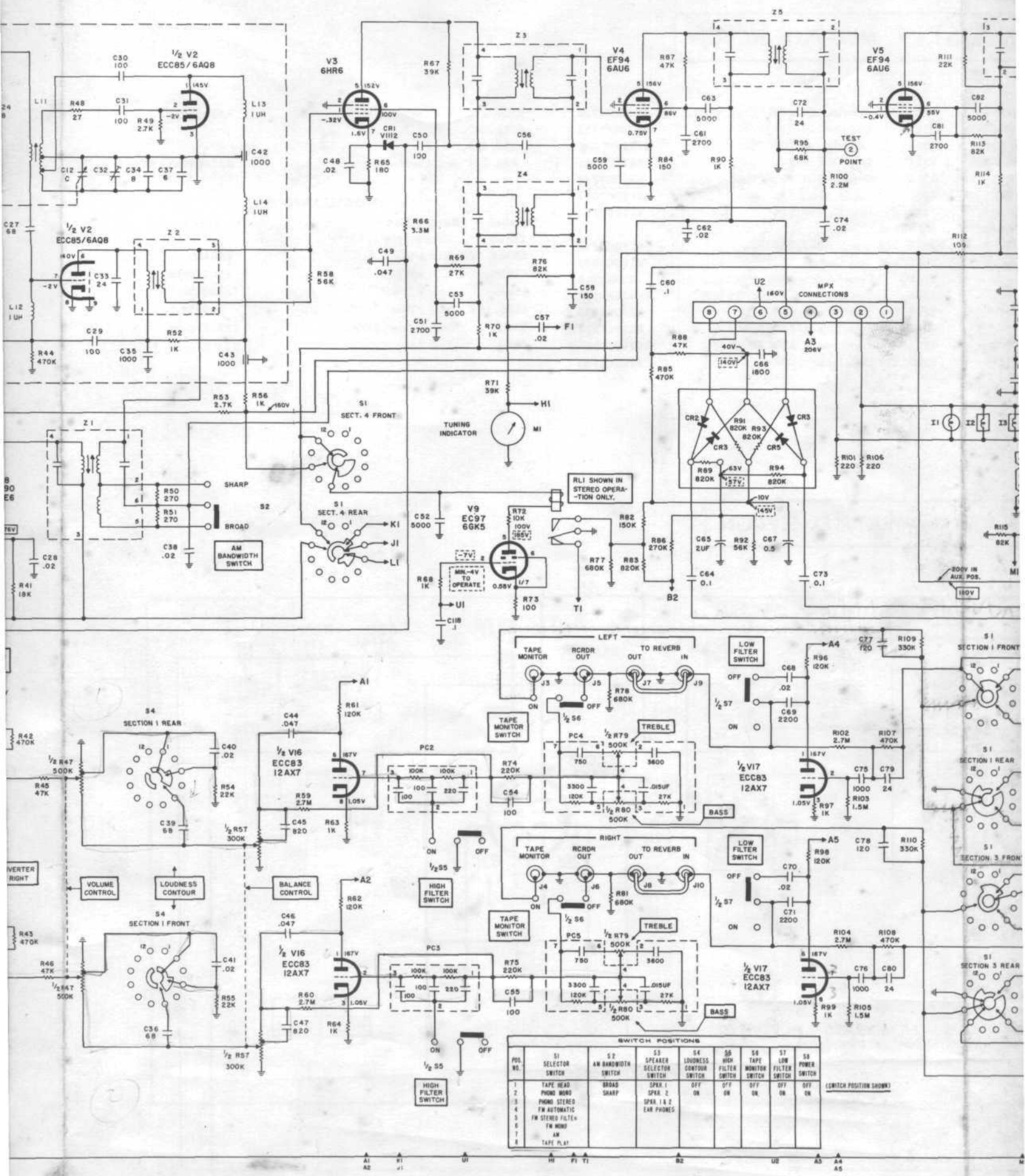


# SCHEMATIC DIAGRAM



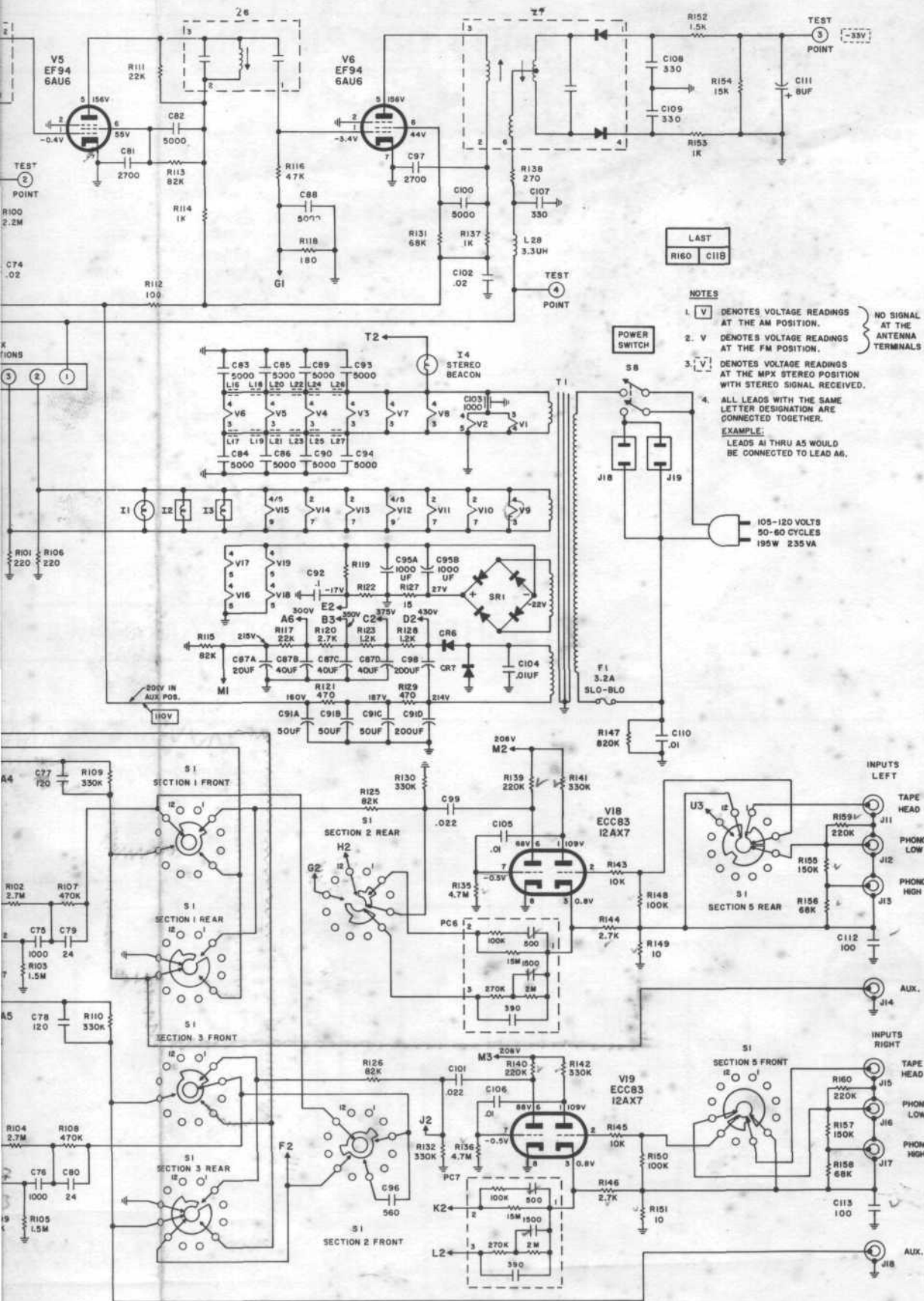
LEAD LOCATIONS (SEE NOTE 4) DI CI EI BI



**SWITCH POSITIONS**

POS. NO.	S1 SELECTOR SWITCH	S2 AM BANDWIDTH SWITCH	S3 SPEAKER SELECTOR SWITCH	S4 LOUDNESS CONTOUR SWITCH	S5 HIGH FILTER SWITCH	S6 TAPE MONITOR SWITCH	S7 LOW FILTER SWITCH	S8 POWER SWITCH
1	TAPE HEAD	BROAD	SPEAK. 1	OFF	OFF	OFF	OFF	OFF
2	PHONO MONO	SHARP	SPEAK. 2	ON	OFF	OFF	OFF	ON
3	PHONO STEREO		SPEAK. 1 & 2	OFF	OFF	OFF	OFF	OFF
4	FM AUTOMATIC		EAR PHONES	OFF	OFF	OFF	OFF	OFF
5	FM STEREO FILTER							
6	FM MONO							
7								
8	TAPE FLIP							

(SWITCH POSITION SHOWN)



LAST  
R160 C11B

NOTES

1. V DENOTES VOLTAGE READINGS AT THE AM POSITION.
  2. V DENOTES VOLTAGE READINGS AT THE FM POSITION.
  3. V DENOTES VOLTAGE READINGS AT THE MPX STEREO POSITION WITH STEREO SIGNAL RECEIVED.
  4. ALL LEADS WITH THE SAME LETTER DESIGNATION ARE CONNECTED TOGETHER.
- EXAMPLE:  
LEADS A1 THRU A5 WOULD BE CONNECTED TO LEAD A6.

NO SIGNAL AT THE ANTENNA TERMINALS

AW 2101F P 990 SCHEMATIC



# PARTS DESCRIPTION LIST • MUL

## CAPACITORS

10% tolerance for all fixed capacitors, unless otherwise noted or marked GMV (guaranteed minimum value). All capacitors not marked uf are pF (uuf).

Symbol	Description	Part No.
C200	Ceramic, .01uf, +80 — 20%, 500V	C50089-7
C201	Ceramic, 680, 1000V	C50072-2
C203	Ceramic, 220, 1000V	C50183-3
C204	Polystyrene, 470, 5%, 500V	C50394-1
C205	Ceramic, 82, 1000V	C50070-1
C206	Ceramic, 1000, GMV, 500V	C50089-2
C207	Ceramic, 5000, +80 — 20%, 500V	C50089-6
C208, 209	Mica, 4700, 5%, 500V	C50332-5
C210	Electrolytic, 1uf, 350V	C50283-3
C211	Ceramic, 1000, GMV, 500V	C50089-2

C212	Ceramic, .05uf, +80 — 20%, 100V	C50073-2
C214	Mylar, 4700, 400V	C50197-25
C215	Mica, 3900, 5%, 500V	C50332-6
C216, 217	Ceramic, 1000, GMV, 500V	C50089-2
C218	Ceramic, .02uf, 20%, 500V	C50089-5
C219	Ceramic, 330, 1000V	C50183-5
C220	Ceramic, .02uf, 20%, 500V	C50089-5
C221, 222	Mylar, .047uf, 250V	C50197-52
C223, 224	Ceramic, 1000, 1000V	C50072-3
C225, 226	Ceramic, 2200, 1000V	C50072-5

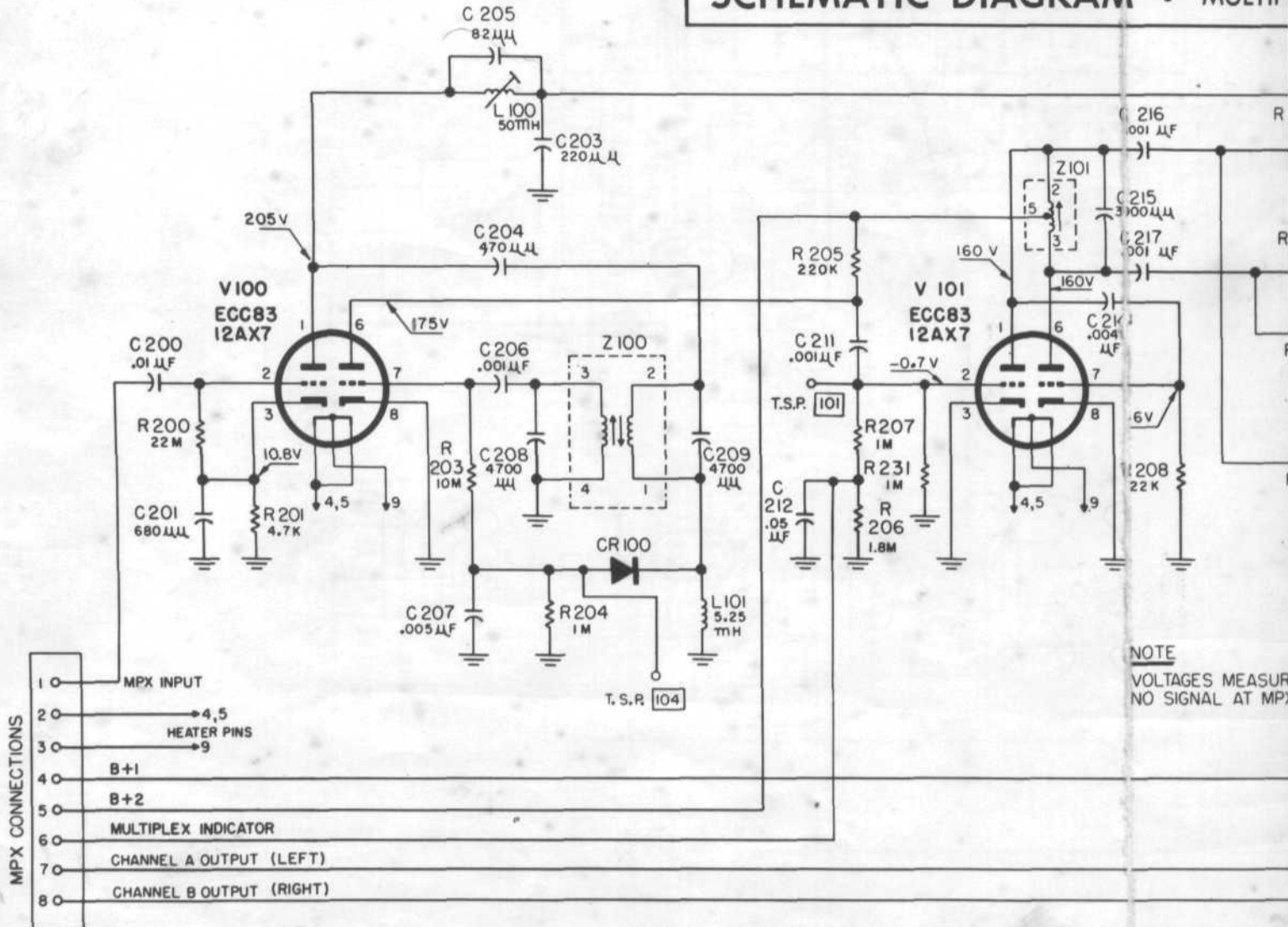
## RESISTORS

In ohms, 5% tolerance, 1/8 W unless otherwise noted. K = Kilohms, M = Megohms.

Symbol	Description	Part No.
R200	Composition, 22M, 10%, 1/8 W	RC20BF226K

R201	Comp
R202	Comp
R203	Comp
R204	Dep. C
R205	Dep.
R207	Dep.
R208	Dep. C
R209, 210,	
211, 212	Dep. C
R213, 214	Dep. C
R215	Potent
R216	Comp
R217, 218	Dep. C
R219, 220	Dep. C
R221	Comp
R222, 223	Dep. C

# SCHEMATIC DIAGRAM • MULTIP



# OPTION LIST • MULTIPLEX SECTION

100V	C50073-2	R201	Composition, 4.7K, 1/2 W
	C50197-25	R202	Composition, 15K, 1/2 W
	C50332-6	R203	Composition, 10M, 10%, 1/2 W
	C50089-2	R204	Dep. Carbon, 1M
	C50089-5	R205	Dep. Carbon, 220K, 1/2 W
	C50183-5	R207	Dep. Carbon, 1M
	C50089-5	R208	Dep. Carbon, 22K
	C50197-52	R209, 210,	
	C50072-3	211, 212	Dep. Carbon, 33K
	C50072-5	R213, 214	Dep. Carbon, 100K
		R215	Potentiometer, 50K, MPX Separation
		R216	Composition, 22M, 10%, 1/2 W
		R217, 218	Dep. Carbon, 18K, 1/2 W
		R219, 220	Dep. Carbon, 15K, 1/2 W
		R221	Composition, 22M, 10%, 1/2 W
		R222, 223	Dep. Carbon, 27K

RC20BF472J	R224, 225	Dep. Carbon, 22K
RC20BF153J	R226, 227,	
RC20BF106K	228, 229,	
R12DC105J	230, 231	Dep. Carbon, 1M
R33DC224J		
R12DC105J		
R12DC223J		
R12DC333J		
R12DC104J		
R50150-4		
RC20BF226K		
R33DC183J		
R33DC153J		
RC20BF226K		
R12DC273J		

R12DC223J
R12DC105J

## MISCELLANEOUS

Symbol	Description	Part No.
CR100	Diodes, Type 1112	V-1112
CR102, 103	Bridge	V50160-13
L100	Coil, low pass	L50210-30
L101	Coil, 5.25MH	L50334-1
L102, 103	Coil, 20MH	L50334-2
Z100	Transformer, 19Kc	ZZ50210-34
Z101	Coil, 38Kc	ZZ50210-33

ess otherwise noted.

Part No.  
RC20BF226K

# DIAGRAM • MULTIPLEX SECTION

